

Compact and versatile all-in-one solution

Excellent mark quality and wide application range

Quick start and simple operation

## Videojet® 3020

Laser Marking System





## 10-Watt laser marking system for consumer packaged goods and industrial applications

Compact and easy to set up, the Videojet 3020 is one of the most versatile entry-level 10-Watt CO<sub>2</sub> lasers on the market. With scribing laser technology and large marking fields, the Videojet 3020 provides excellent mark quality on paper, cardboard, plastics and other materials.

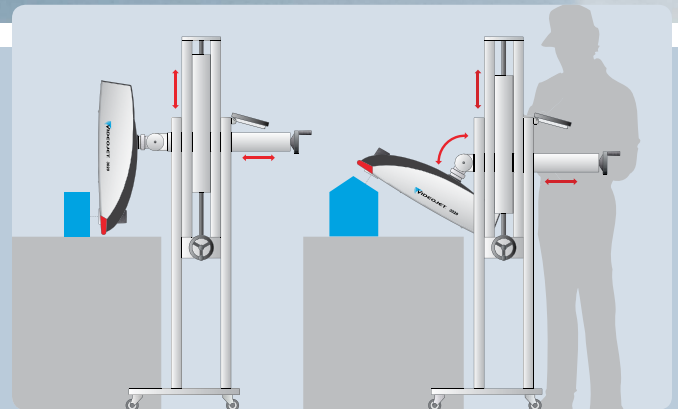
### Compact design and versatile all-in-one solution

- Single-box design enables fast installation and line changes
- Weighing 7 kg (15 lbs.), one of the lightest systems available in its class
- Configurable in a variety of angles and heights with the adjustable mobile stand
- Fits easily on most production lines

### Excellent mark quality and wide application range

- Scribing technology provides clear, high quality marks without a dot matrix look on both stationary and moving products
- Depending on the lens used, mark field sizes up to 126 x 87mm (5 x 3.4") are available to mark a wide range of codes and applications

**Videojet® 3020**  
Laser Marking System



*Versatile stand allows for a large range of installations (top, bottom, left, right, upside-down, etc.). Low weight allows for easy handling by a single operator.*

### Quick start and simple operation

- Averages 30 minutes for mechanical setup and 20 minutes for line changes enable quick starts
- Smart system features include focus finder for simple adjustment of working distances and automatic signal detection of the encoder and product detector
- Intuitive operator interface on a touch-screen tablet provides maximum ease of use
- Setup wizard's simple menu structure and preview window allow the creation of jobs and setting of print parameters in a matter of minutes



*Touch-screen enables creation and editing of jobs*

## Cardboard



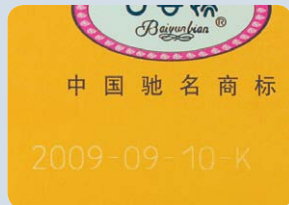
Laser sensitive corrugated cardboard: color change



Corrugated cardboard: carbonization



Cardboard box: carbonization, color change



Cardboard box: engraving, color removal

## Plastic Materials



Sticky beverage label foil: color change



Pharmaceutical sticker: color removal



PVC: color change and engraving

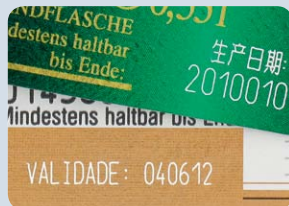


Plastic bottle: color removal

## Paper Items



Paper cup: carbonization, color change



Metalized beverage labels: color removal

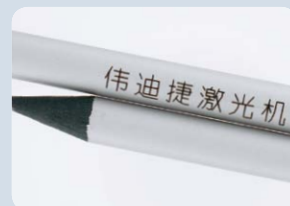


Beverage labels: color removal



Metalized beverage labels: color removal

## Wooden and Metal Materials



Pencil: color removal



Pencil: carbonization



Ice cream sticks: carbonization



Anodized aluminum: color removal

Note: For every application, tests must be made to determine the most suitable system solution/configuration.

## Marking Fields (see graphic for marking field sizes)

	Three Focusing Lenses		
Working Distance/mm	80	128	179
Focal Length/mm	100	150	200

### Marking Formats

Standard fonts: Simplified Chinese, Western/Eastern European

Optional fonts: Bengali, Vietnamese, Thai, Japanese, Arabic, Hebrew

Machine-readable codes: ID matrix, bar codes

Logos/symbols (pixel-based, vector-based)

Graphical elements (ellipse, rectangle, polyline)

Variables (serial numbers, text, date, time, shift code)

### Marking Speed (application dependent)

Up to 500 characters/sec.

### Line Speed (application dependent)

Up to 3.26 feet/sec. (1 m/s)

## LASER MARKING SYSTEM COMPONENTS

### Standard Configuration

Laser marking unit: (includes laser, digital high-speed galvanometer scanners, one lens with lens protection, controller, I/O panel, built-in keypad, power supply, connectors, lamps, switches, focus finder to adjust working distance); laser beam orientation: 90-degree beam exit; product detector; touch-screen tablet

### Options & Accessories

Mobile stand; beam shield; exhaust unit; encoder; fiber optic photocell; touch brackets; mounting brackets

### Laser Tube

Single sealed CO<sub>2</sub> laser, power class 10-Watt

Central emission wavelength: 10.6 μm

### Integration

Stand-alone solution when optional stand is utilized

Usage without stand: direct integration into production lines via mounting brackets

## USER INTERFACES

### Touch-screen Tablet

PC based; communicates with the marking unit via ethernet

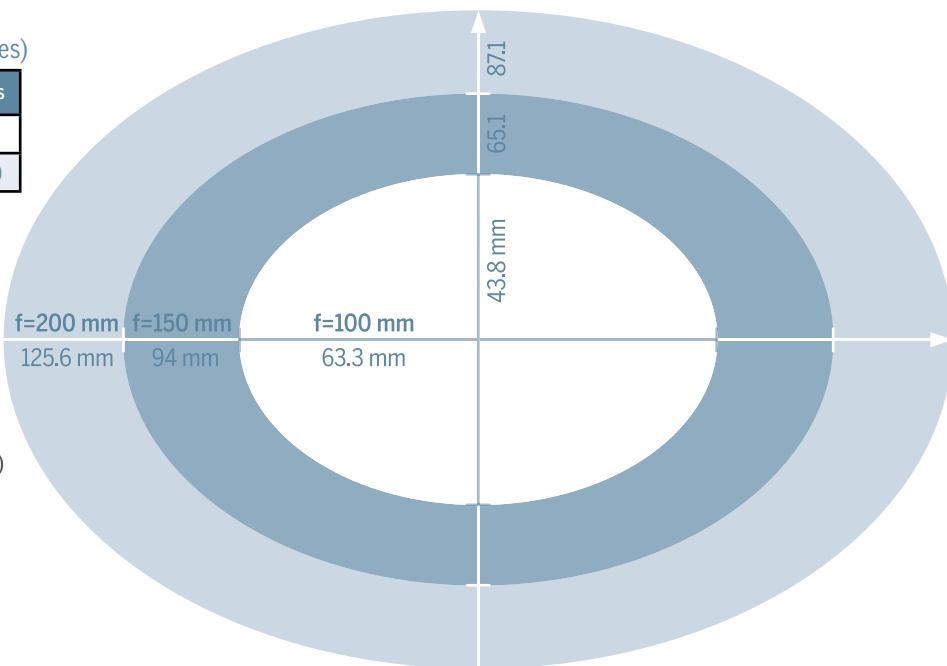
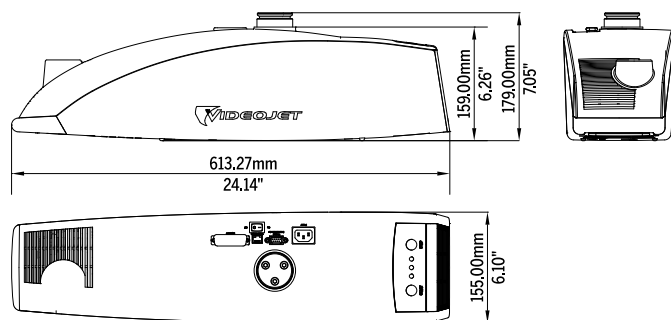
USB interface on touch-screen for data exchange; IP20

Configurable in English (US, UK), Chinese (simplified, traditional), Korean, Thai, Vietnamese, Spanish, Portuguese, Brazilian, Arabic, Danish, Dutch, German, French, Italian, Polish, Russian, Turkish

### Built-in Keypad

Start and stop keys; LED indicators for status, laser emission, error

## Marking Unit Dimensions



Marking fields graphic: actual size

## SOFTWARE

### Touch Control Software

Touch-screen user interface runs Windows® for preparation of marking jobs, line setup, print parameter setup and system configuration

Creation and editing of jobs; includes vertical/horizontal adjustment, rotation and scaling of marking contents and intensity variations

WYSIWYG

Various password-protected security levels

### Communication

Inputs for encoder and product detector

Digital I/Os for start, stop, interlock, shutterlock, ready, error, shutter closed

## SUPPLY

### Electrical Requirements

100 to 120 V/200 to 240 V (autorange); 350 VA, 1 PH, 50/60 Hz

### Environmental Protection

Dust protected; internally air-cooled

Ambient temperature: 5° to 40° C (41° to 104° F); up to 45° C (113° F) with reduced duty cycle

Humidity range: 10 - 90%, non-condensing

### Sealing and Safety Standards

IP20; LASER CLASS 4 product (ACC. DIN EN 60825-1)

### Approximate Weight

Marking unit: 7 kg (15 lbs.)

### Applicable Certifications

CSA, ROHS, CE



800-843-3610

[www.videojet.com](http://www.videojet.com) / [info@videojet.com](mailto:info@videojet.com)

Videojet Technologies Inc. / 1500 Mittel Blvd.

Wood Dale IL 60191-1073 / USA

Phone 630-860-7330 Fax 800-582-1343